

2 phase 0.9 degree NEMA 14R (round size 36mm) Hybrid Stepper Motor

Technique parameter:



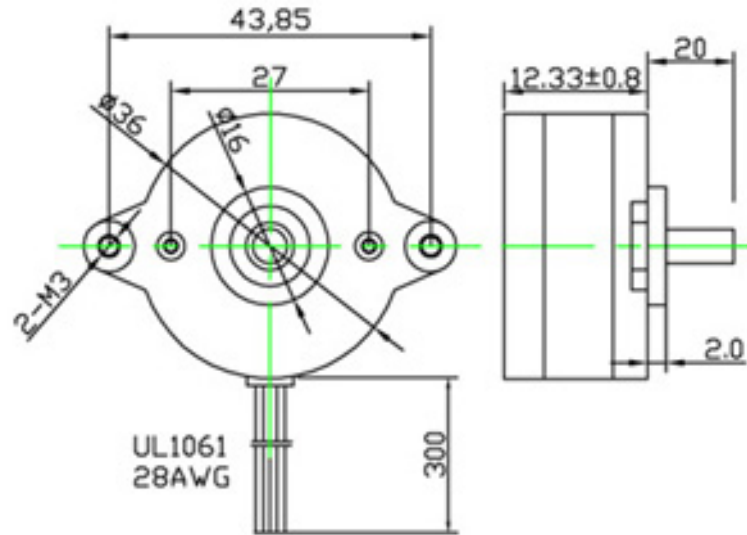
Item	Specification
Step Angle Accuracy	±5% (full step,no load)
Resistance Accuracy	±10%
Inductance Accuracy	±20%
Temperature Rise	80 Max.(rated current,2 phase on)
Ambient Temperature	-10 -+50
Insulation Resistance	100MΩMin.500VDC
Dielectric Strength	500VAC for one minute



Electrical Specifications:

Model No.	Rated Voltage	Current /Phase	Resistance /Phase	Inductance /Phase	Holding Tprque		#Of Leads	Weight	Length
	V	A	Ω	mH	Oz-in	g-cm		Kg	mm
14H12HM-0304A	6.2	0.3	16.8	8	4.44	320	4	60	12.5
14H20HM-0504A	6.0	0.5	12	9	15.3	1100	4	130	19.5

Dimensions:



Wiring Diagram:

